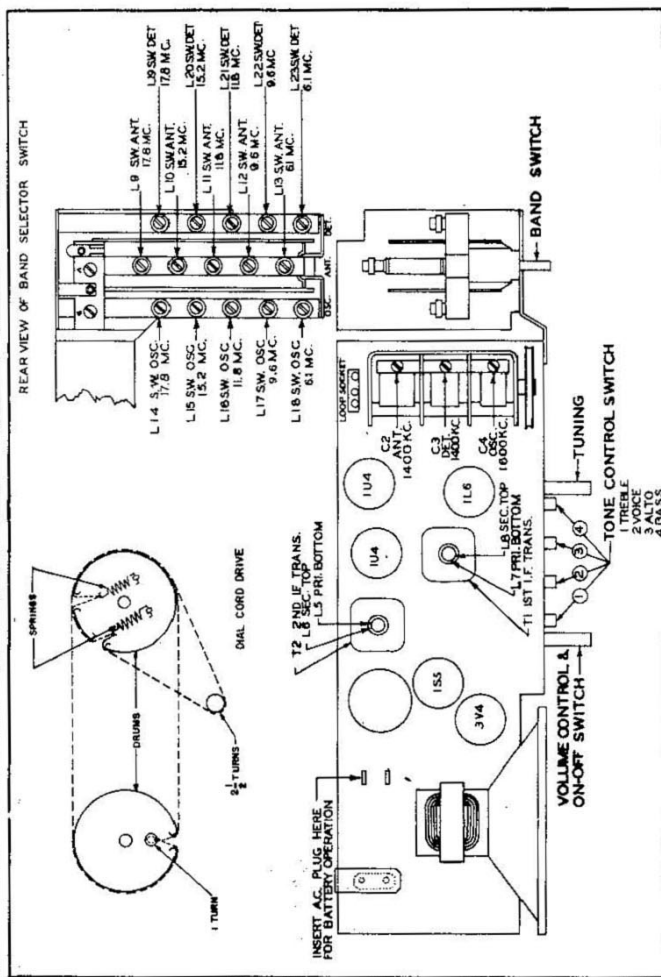


MODEL G500,  
Ch. 5G40



**TO THE SERVICE MAN:**

Chassis 5G40 features a high gain tuned RF stage ahead of a conventional superheterodyne circuit with band spread tuning on the 49, 31, 25, 19 and 16 meter bands. If removal of the chassis from the cabinet ever becomes necessary this should be done with care.

The alignment of chassis 5G40 is conventional. However, care must be exercised when making adjustments, and the alignment procedure must be followed exactly. Set the chassis over a metal plate approximately the same distance the battery pack is from the bottom of the chassis when it is in the cabinet. This procedure will introduce the approximate amount of metal in the field of the RF and oscillator coils as when the chassis is in the cabinet. A signal generator of reasonable accuracy and good attenuation must be used. An output meter (AC) of the copper oxide rectifier type with a range of 1 to 30 volts in several steps is necessary to get accurate output readings. Alignment wrenches should be of the non-metallic type, especially when making adjustments at the higher frequencies.

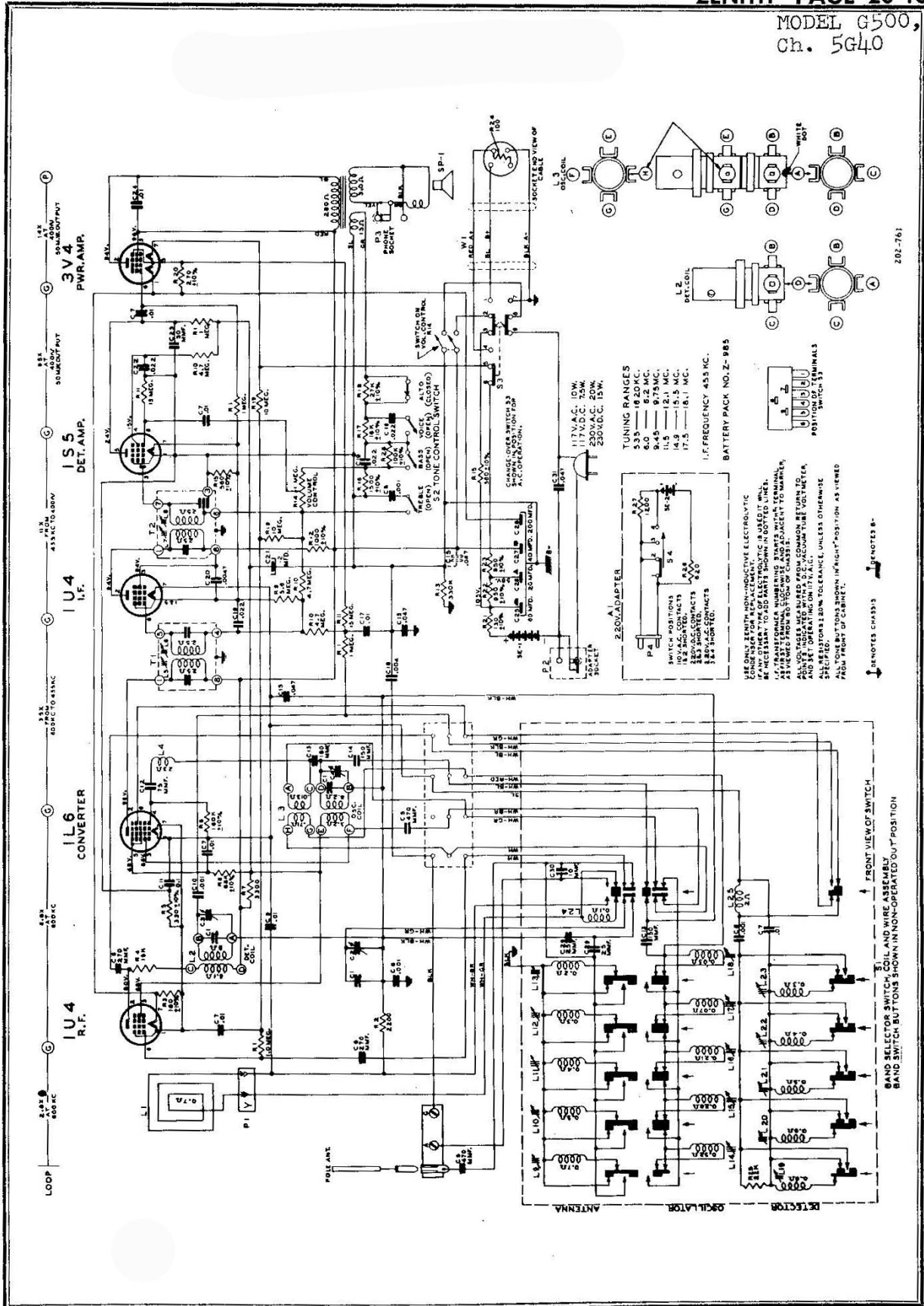
When reinstalling the chassis in the cabinet be careful not to disturb the cabling between the short wave coil assembly and chassis. Tune in a weak broadcast signal near 1400 Kc. and touch up trimmer C2. This will insure maximum performance after alignment.

The I.F. transformers incorporated in this receiver are of the new permeability tuned type. The advantage of an I.F. transformer of this type is its extreme stability under various humidity and temperature conditions. The upper coil is the secondary and the lower the primary. When adjusting these I.F. transformers the tuning wrench 68-7 can be inserted into the top slug, rotated until maximum output is obtained and then dropped down to the lower slug and the same operation repeated. The tuning wrench is so designed that turning one slug does not affect the adjustment of the other.

**TUBE, TRIMMER LOCATION AND DIAL CABLE DRAWING  
ALIGNMENT PROCEDURE**

OPERATION	CONNECT OSCILLATOR TO ANTENNA Grid	DUMMY ANTENNA .1 mfd.	INPUT FREQ. 455 Kc.	BAND BC	DIAL AT 600 Kc.	TRIMMERS L5, 6, 7, 8	PURPOSE Align I.F. Set Oscillator to Scale
2	One turn loop Coupled loosely to Broadcast Wavemagnet		1600 Kc.	BC	1600 Kc.	C4	Alignment of Detector
3			1400 Kc.	BC	1400 Kc.	C3	Alignment of B.C. Wavemagnet
4			1400 Kc.	BC	1400 Kc.	C2	
5*			6.1 Mc.	49 Met.	6.1 Mc.	L18, 23, L17, 22, 13	
6*			9.6 Mc.	31 Met.	9.6 Mc.	L12	
7*	3 feet of wire Approx. 1 foot from Extended Waverod		11.8 Mc.	25 Met.	11.8 Mc.	L16, 21, 11	Alignment of S.W. Oscillator, detector and antenna
8*			15.2 Mc.	19 Met.	15.2 Mc.	L15, 20, 10	
9*			17.8 Mc.	16 Met.	17.8 Mc.	L14, 19, 9	

\*NOTE: Rock Tuning Condenser When Making Alignment Under Operations 5, 6, 7, 8 and 9.



MODEL G500,  
Ch. 5G40

PART NO.	REF. NO.	DESCRIPTION	DIAL ASSEMBLY	DIAL ASSEMBLY	PART NO.	REF. NO.	DESCRIPTION	PARTS LIST	PART NO.	REF. NO.	DESCRIPTION	CABINET PARTS	DESCRIPTION	PART NO.	REF. NO.	DESCRIPTION	RESISTORS	DESCRIPTION	FRONT COVER HINGE & TERMINAL ASSEMBLY	VOLTAGE ADAPTOR	PART NO.	REF. NO.	DESCRIPTION	
12-1079		Pointer Shaft Bracket			63-1362	R22, 23	Two Section Candelohm		12-1082		Telescoping Ant. Mfg. Bkkt.			12-1082										
26-398		Dial Scale			63-1744	R24	100 Ohm 1/2W	20% Ins. Res.	12-1203		Model G500 Portable Cab.			12-1203										
46-539		Band Switch Knob (16M)			63-1754	R20	180 Ohm 1/2W	10% Ins. Res.	17-67		Telescoping Ant. Rod Retaining Clamp			17-67										
46-540		Band Switch Knob (19M)			63-1761	R23	270 Ohm 1/2W	10% Ins. Res.	19-134		Wavemagnet Cable Retaining Clip			19-134										
46-541		Band Switch Knob (25M)			63-1764	R5	330 Ohm 1/2W	10% Ins. Res.	36-42		Cab. Handle			36-42										
46-542		Band Switch Knob (31M)			63-1775	R15	350 Ohm 1/2W	10% Ins. Res.	46-806		Ant. Knob (part of S-15802)			46-806										
46-543		Band Switch Knob (49M)			63-1785	R12	1000 Ohm 1/2W	10% Ins. Res.	54-211		Spread Nut (6 used)			54-211										
46-544		Band Switch Knob (BC)			63-1792	R16	1500 Ohm 1/2W	10% Ins. Res.	54-295		Wavemagnet Retaining Nut (#6-32)			54-295										
46-546		Tuning & Volume Control Knob (2 used)			63-1800	R2	2200 Ohm 1/2W	20% Ins. Res.	57-1032		Wavemagnet Retaining Nut (#10-32)			57-1032										
59-1555		Front Panel Escutcheon			63-1807	R7	3300 Ohm 1/2W	20% Ins. Res.	57-1092		Caplure Plate			57-1092										
59-195		Dial Pointer			63-1835	R4	15K Ohm 1/2W	20% Ins. Res.	70-63		Caplure Plate			70-63										
61-141		Pointer Pulley			63-1838	R17	18K Ohm 1/2W	10% Ins. Res.	70-131		48 x 1 1/4 R.H. Wood Screw			70-131										
73-113		#8-32 x 1/4 Slab. Head Set Screw			63-1843	R8	22K Ohm 1/2W	10% Ins. Res.	93-484		44 x 1 1/2 Phillips B.H. Wood Screw (4 used)			93-484										
76-415		Tuning Control Sheet			63-1849	R28	68K Ohm 1/2W	10% Ins. Res.	93-1122		Push Button Fat Strip			93-1122										
80-49		Front Cover Slab Spring (2 used)			63-1863	R6	200K Ohm 1/2W	20% Ins. Res.	93-684		1/16 x 5/32 x 5/8 Black Fat Washer (2 used)			93-684										
80-553		Dial Cord Tension Spring			63-1880	R8	180K Ohm 1/2W	10% Ins. Res.	93-721		1/16 x 25/64 x 5/16 Black Fat Washer (2 used)			93-721										
83-467		Indicator Tension Spring			63-1891	R13	330K Ohm 1/2W	20% Ins. Res.	97-367		Handle Mounting Stud (2 used)			97-367										
93-160		Rubber Strip (Used on 26-398)			63-1912	R1	1 Megohm 1/2W	20% Ins. Res.	114-197		S.T. Screw (2 used)			114-197										
93-470		1/64 x .136 x 5/16" Black Fibre Washer (Used on 59-195)			63-1940	R10	4.7 Megohm 1/2W	20% Ins. Res.	156-22		Door Latch (Upper Half)			156-22										
93-556		1/32 x .144 x 3/8 Washer Steel (2 used on 26-398)			63-1954	R9	5.6 Megohm 1/2W	10% Ins. Res.	157-7		Door Latch (Lower Half)			157-7										
188-32		Retaining Ring			63-1961	R11	15 Megohm 1/2W	20% Ins. Res.	159-48		Strike Plate (2 used)			159-48										
S-11207		Indicator Lever & Bushing Assembly			63-2018	R21	130 Ohm (Zipohm) 3W	10% Ins. Res.	159-49		Snap Button (2 used)			159-49										
S-15781		Drive Pulley Cord & Eyelet Assembly (short)			63-2037	R14	Volume Control & Switch		192-129		Dial Crystal			192-129										
S-15782		Pointer Pulley Cord & Eyelet Assembly (long)							199-119		Ant. Insulating Sleeve			199-119										
S-15784		Pointer Pulley & Shaft Assembly							202-734		Instruction Book & Station Log			202-734										